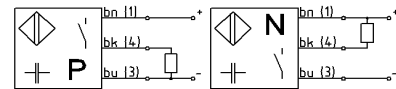
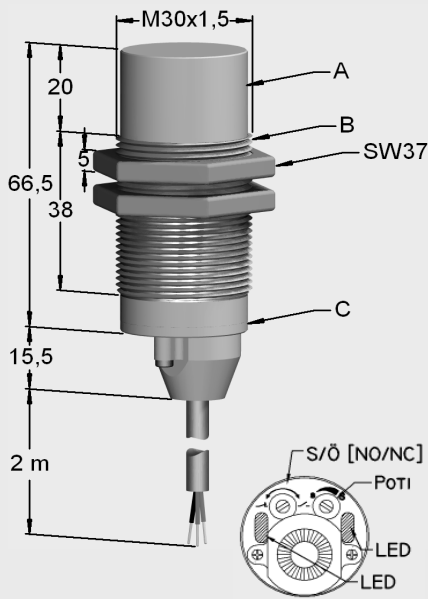
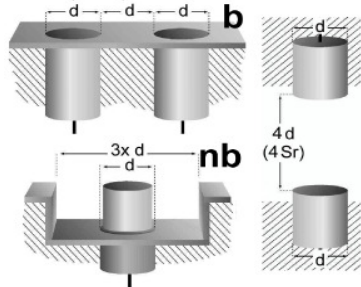


Type code (abstract)

SK sensor capacitive, w/o amplifier
 SKF sensor cap., w/o amplifier, flexible
 SK1 sensor capacitive, self-contained
 SV(D) sensor amplifier (dynamic)
 SNG sensor power pack
 HT### high temperature use
 TM pulse modulation technique (High noise immune)
 ## / FS(A) max sensing distance / Fill-level switch (adaptive)
 M30 model and/or dimension
 P output stage PNP, NPN, 2-wire AC/DC, X (switchable)
 b mounting b=flush
 nb=non-flush
 S S=N.O. Ö=N.C.
 X=function switchable
 (c)PTFE Housing material, e.g. PTFE
 cPTFE=complete PTFE
 1m2-Y2 cable & connector:
 Y# = connector
 1m2 = 1.2m cable length



Typ / Type	Nr./No.
SK1-FSA-M30-P-nb-X-PBT	07115
SK1-FSA-M30-N-nb-X-PBT	07116

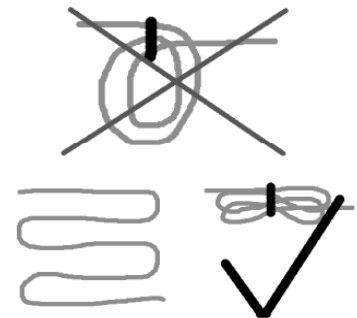
The Smart Level Sensors of the SK1-FSA... series have been adjusted in the factory for standard applications. With this setting, the Smart Level Sensors are suitable for detecting water based liquids through glass or plastic walls without any further adjustment. The factory setting can automatically mask out glass or plastic walls (approx. 0.5 mm to 6 mm), and compensates within wide limits for foam, moisture and dirt adhering to the inside and outside of the tank concerned.

Specialized applications

The Smart Level Sensors of the SK1-FSA... series can also be used with water based liquids in hitherto insoluble and critical applications, e.g. with glass or plastic walls thicker than 6 mm. For this purpose, the factory setting can be altered by the user. Adjustment instructions are supplied with the sensor.

N.B.!

The cable can not be wound for the sensor to function properly. Excess length cable has to be shortened or wound in meander windings.



cPTFE-Sensors
 Output state indicator: LED red fully covered (inside the housing)

mounting [flush / nonflush]	[b / nb]	nb
operating distance	Sd [mm]	FSA
Hysteresis	H [%Sr]	
frequency of operating cycles	f [Hz]	2
repeat accuracy	R [%Sr]	
Operating temperature range	[°C]	-10... 60
temperature drift [range]	[%Sr] [°C]	
protection class (EN 60529)		A, B: IP 66 / IP 68; C: IP 64
rated insulation voltage	Ui [V]	75 d. c.
material of housing		A: PBT; B: PBT; C: PBT/PE
utilisation category		DC13
connection		2m / 3x 0,34mm ² PUR
supply voltage range UB	UB [V]	10... 35
no-load supply current	Io [mA]	20
minimum operational current	Im [mA]	
operational current	Ie [mA]	300
off-state current	Ir [mA]	
voltage drop [50mA/ Ie]	Ud [V]	1,8
time delay before availability	tv [ms]	
Indicator [UB / Output]		•/•
Short circuit- overload-protection		•/•
Reverse polarity Protection		•
Conformity EMC EEC-direct.		IEC 60947-5-2 : 2000
EMC		
associated equipment		SNG-###AC...
additional functionality		S / Ö NO / NC
Application		H ₂ O FSA